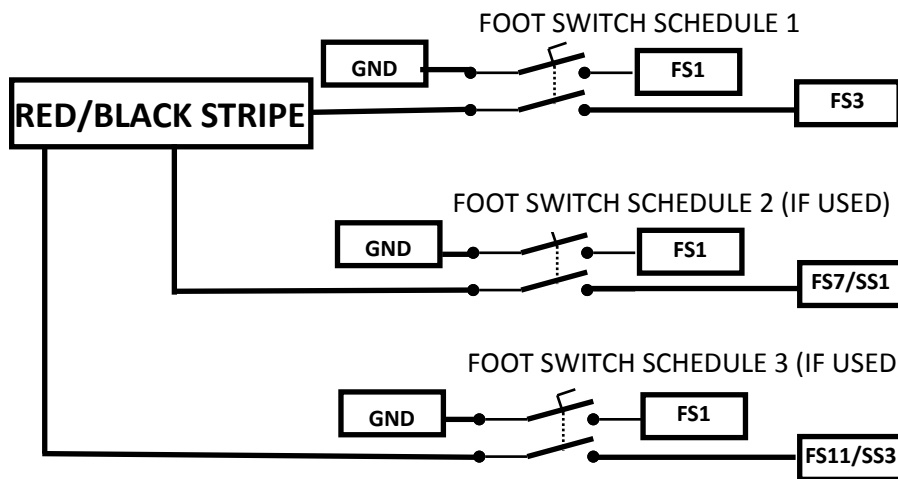
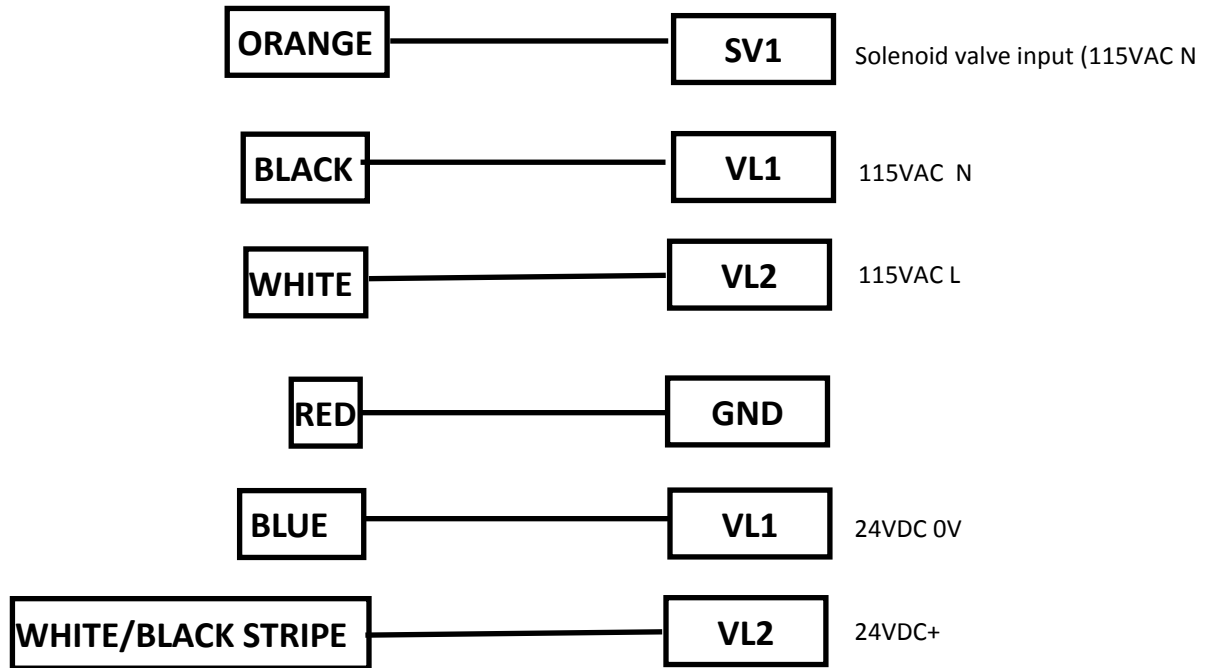


EN1000, EN1001 SOFT TOUCH HOOKUP

CONTROL WITH 24VDC SOLENOID VALVES

Connect wires from the SOFT TOUCH cable to the EN1000 or EN1001 as shown below

This control uses SINKING for all inputs, and SINKING for valve outputs.



If RETRACT SOFT TOUCH option 9181-34JA or 9181-34JB is installed

