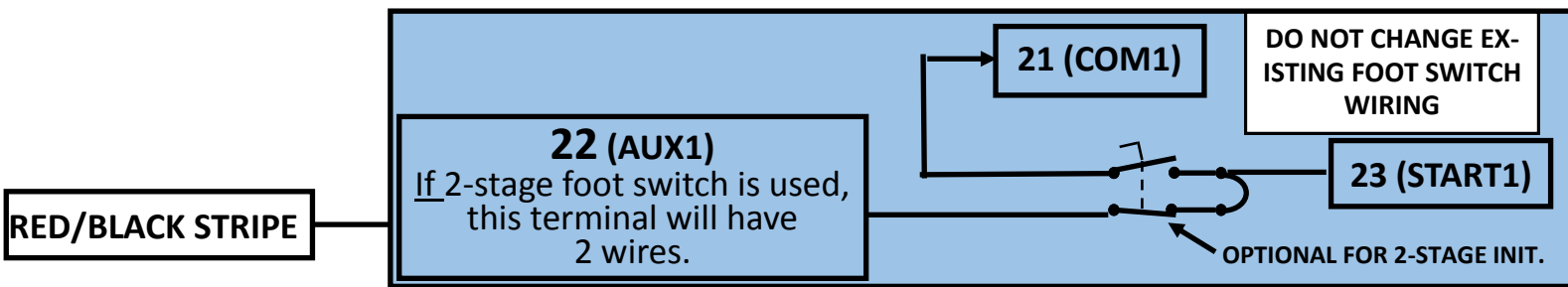
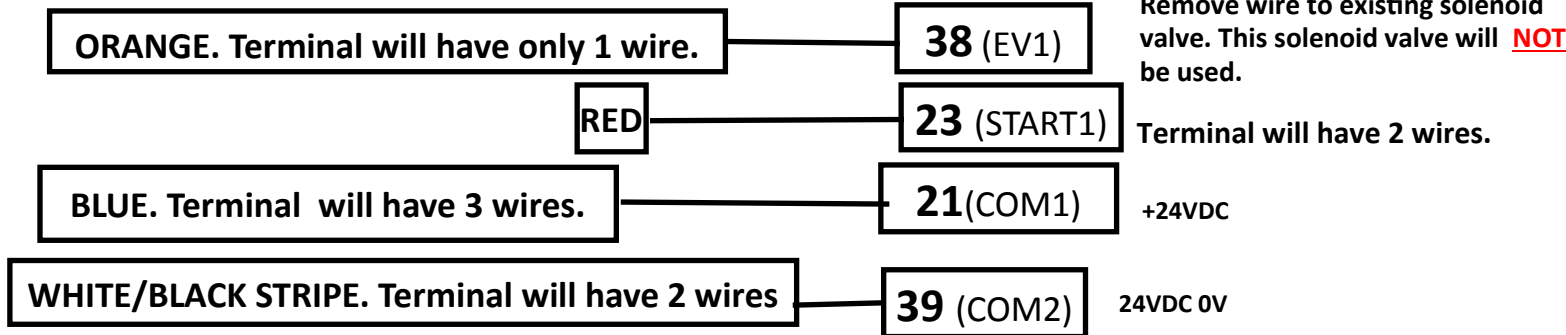


TECNA SOFT TOUCH HOOKUP

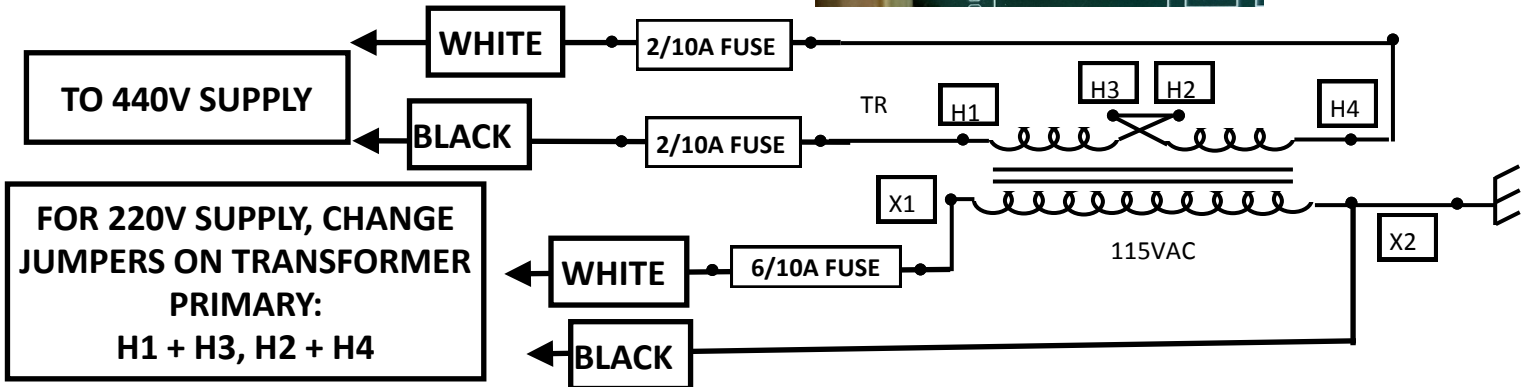
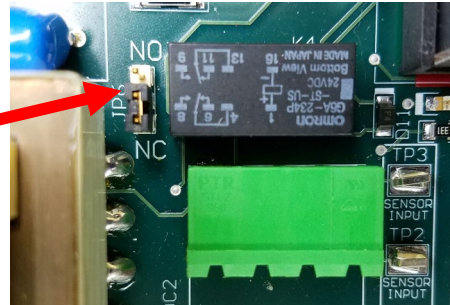
OPTION 9181-34TECNA, TE700

Connect wires from the SOFT TOUCH cable to the TECNA controls as shown below.

Note that TECNA logic **OPENS** AUX1 for 2nd stage initiation.



INSTALL JP6 JUMPER IN THE LOWER "NC" POSITION



If RETRACT SOFT TOUCH option 9181-34JA or 9181-34JB is installed

GREEN/BLACK STRIPE → **44 (EV4)** Retract valve output (24VDC+)

GREEN → (CABINET GROUND STUD)