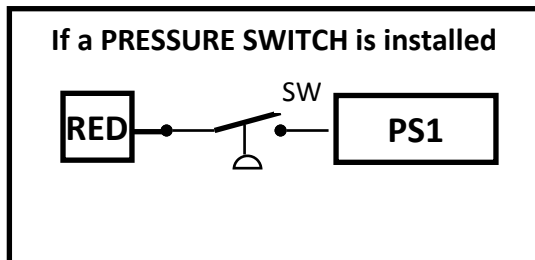
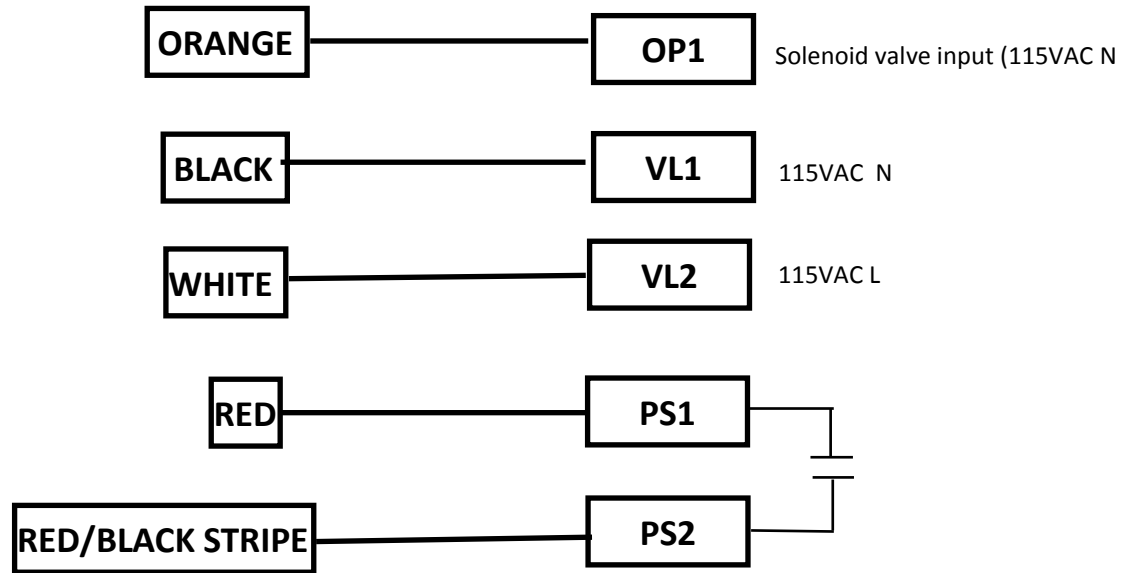


# WT500 SOFT TOUCH HOOKUP

## CONTROL WITH 115VAC SOLENOID VALVES



Be sure that the WT500 is programmed to monitor the PRESSURE SWITCH input terminals PS1-PS2.

In the INITIAL SETUP procedure, set: 2ND STG = 1

