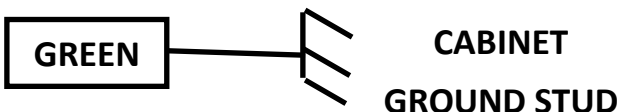
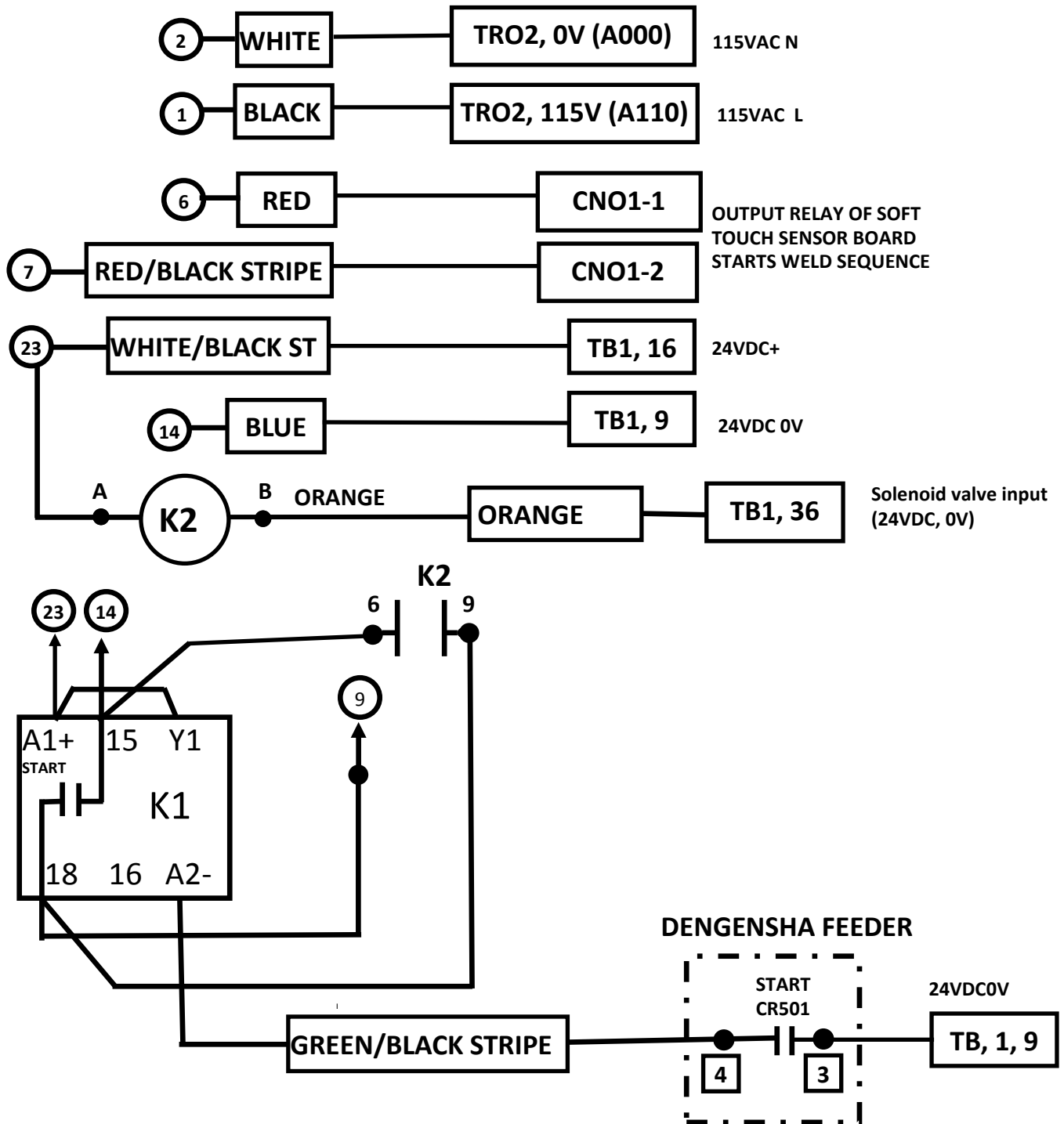


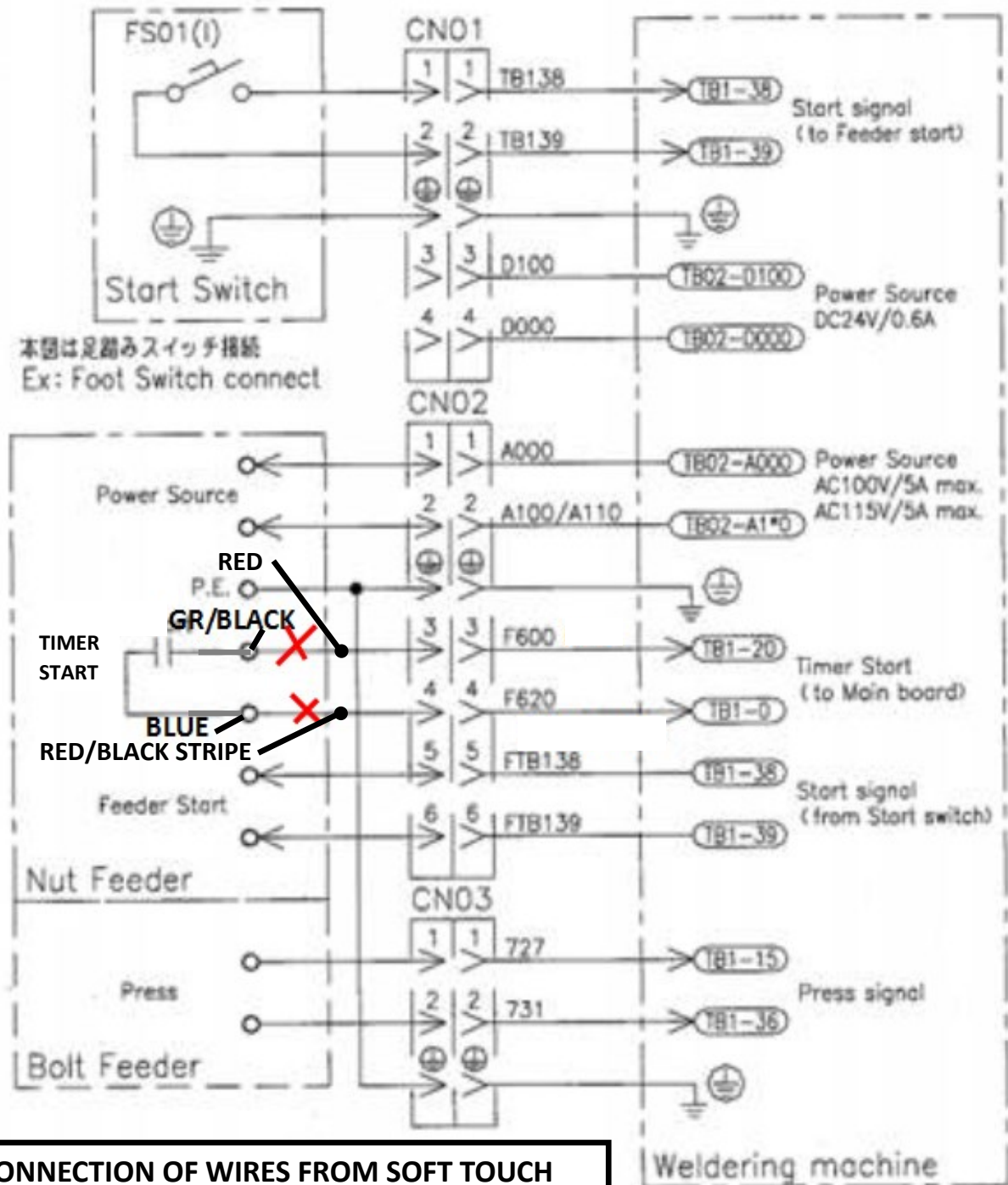
DENGENSHA NWC900 SERIES SOFT TOUCH HOOKUP

AC CONTROL WITH 24VDC VALVES, SINKING 1-STAGE INITIATION and
 Connect wires from the SOFT TOUCH cable to the
 DENGENSHA NWC-900 SERIES control as shown below



K1 = ONE-SHOT RELAY, CROUZET MBR1, #88 827 125
 SET DIALS: 0.1-1, SET BLUE KNOB TO 7.
 # = TERMINAL ON 9280-TS7B SENSOR BOARD
 K2 = 24VDC RELAY, 3PDT cube

MODIFICATION TO FEEDER FOR CONNECTION OF FOUR WIRES IN SOFT TOUCH CABLE



CONNECTION OF WIRES FROM SOFT TOUCH CABLE TO FEEDER

1. Remove 2 wires from the nut feeder TIMER START terminals as shown above. Connect the GREEN/BLACK STRIPE wire to one contact terminal and the BLUE wire to the other.
2. Connect the wires that were removed from the nut feeder TIMER START terminals to the RED and RED/BLACK STRIPE wires.