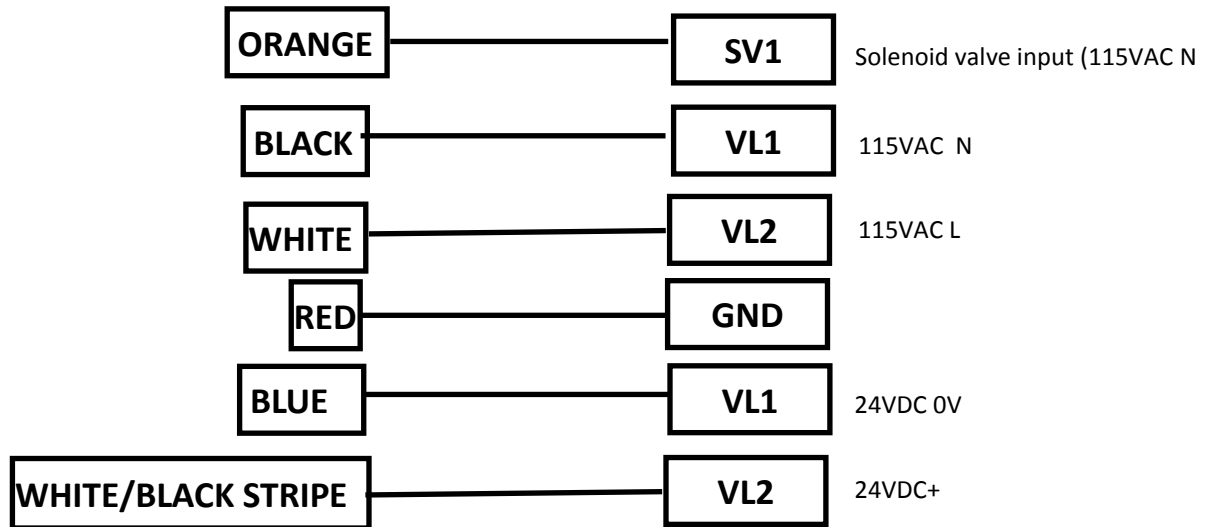


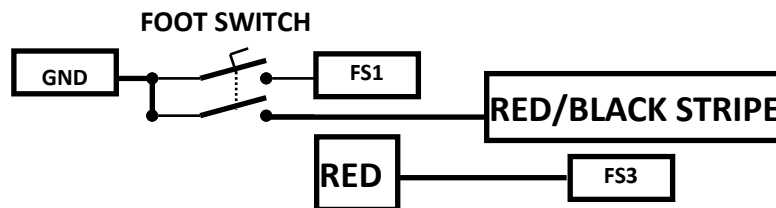
EN1000, EN1001 SOFT TOUCH HOOKUP

CONTROL WITH 24VDC SOLENOID VALVES

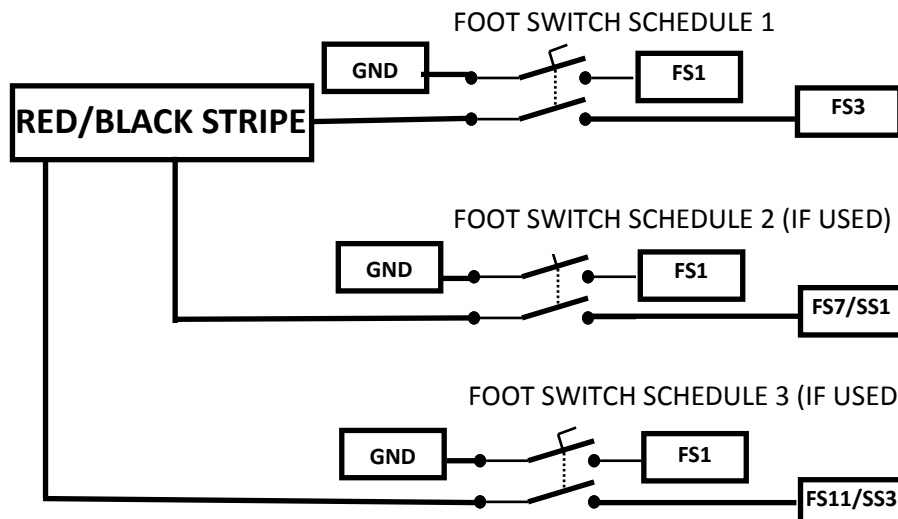
Connect wires from the SOFT TOUCH cable to the EN1000 or EN1001 as shown below
This control uses SINKING for all inputs, and SINKING for valve outputs.



IF ONLY ONE FOOT SWITCH IS CONNECTED TO THIS CONTROL



IF MORE THAN ONE FOOT SWITCH IS CONNECTED TO THIS CONTROL



If RETRACT SOFT TOUCH option 9181-34JA or 9181-34JB is installed

