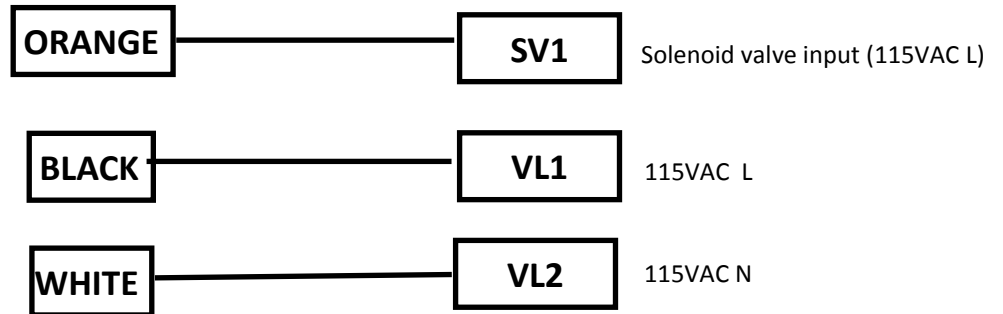


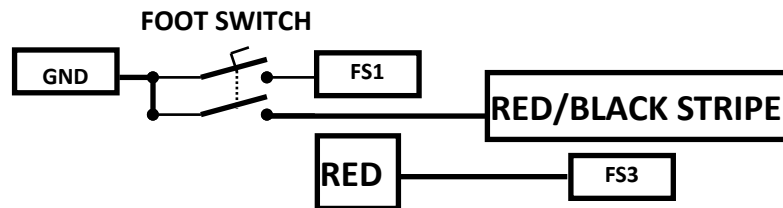
# EN1000, EN1001 SOFT TOUCH HOOKUP

## CONTROL WITH 115VAC SOLENOID VALVES

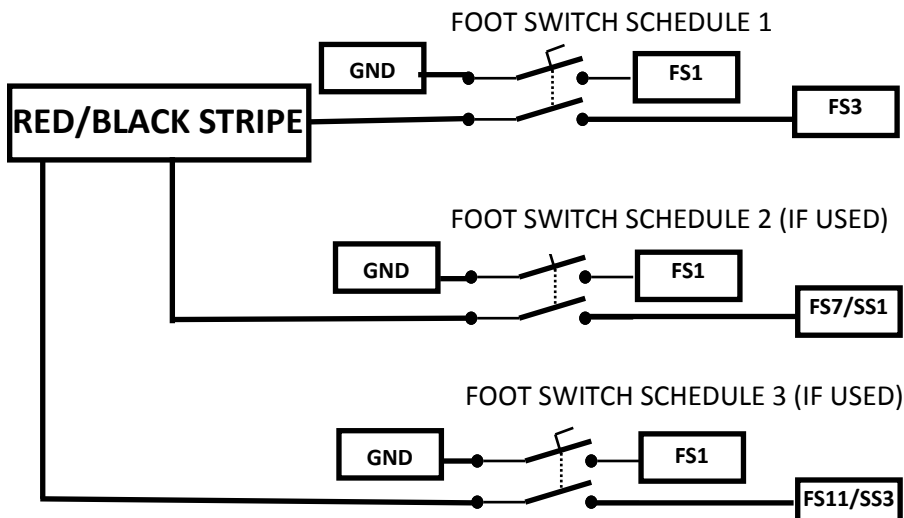
Connect wires from the SOFT TOUCH cable to the EN1000 or EN1001 as shown below



### IF ONLY ONE FOOT SWITCH IS CONNECTED TO THIS CONTROL



### IF MORE THAN ONE FOOT SWITCH IS CONNECTED TO THIS CONTROL



### If **RETRACT SOFT TOUCH** option 9181-34JA or 9181-34JB is installed

