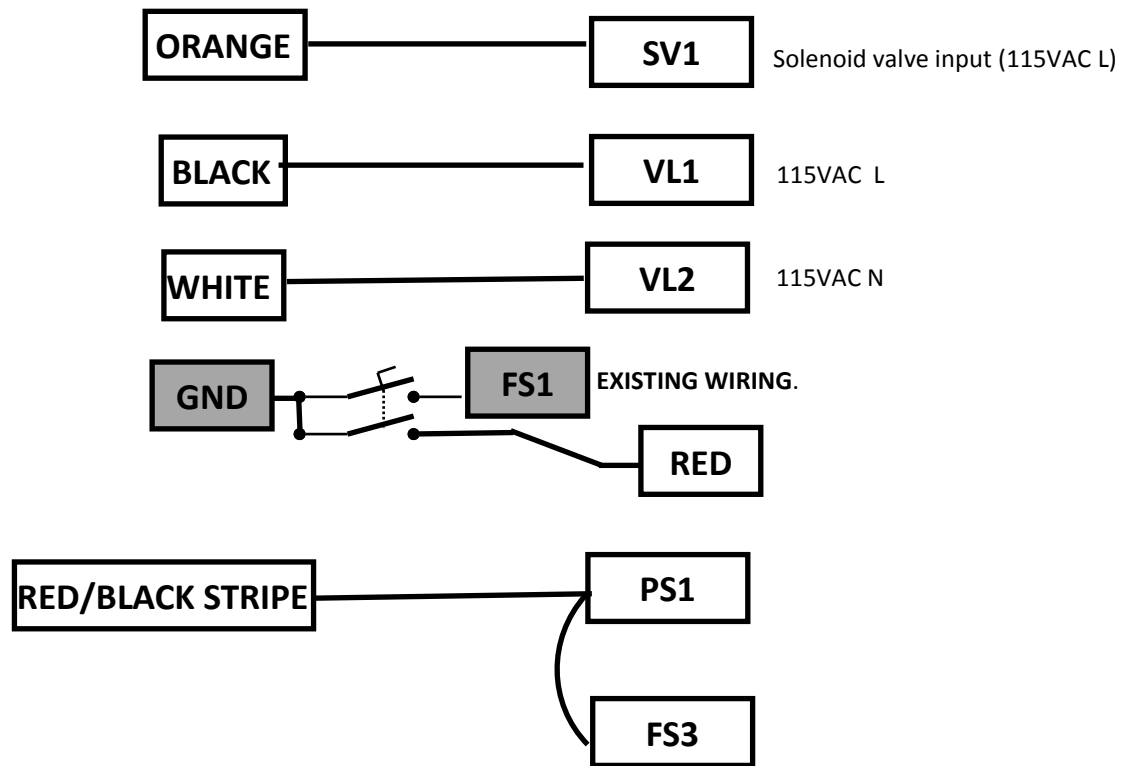


EN1000, EN1001, EN200, EN300

SOFT TOUCH HOOKUP

CONTROL WITH 115VAC SOLENOID VALVES

Connect wires from the SOFT TOUCH cable to the control as shown below



FOR SINGLE-STAGE INITIATION: CONNECT FS3 to FS1.

If RETRACT SOFT TOUCH option 9181-34JA or 9181-34JB is installed

GREEN/BLACK STRIPE

SV5

Retract valve output (115VAC N)

GREEN

(CABINET GROUND STUD)