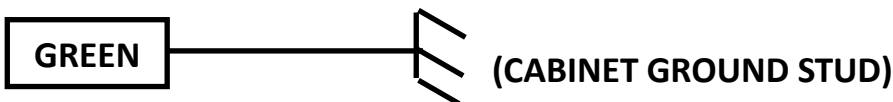
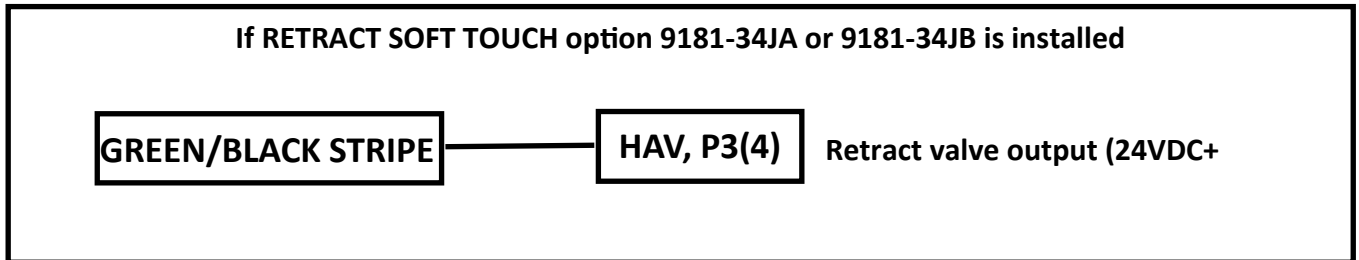
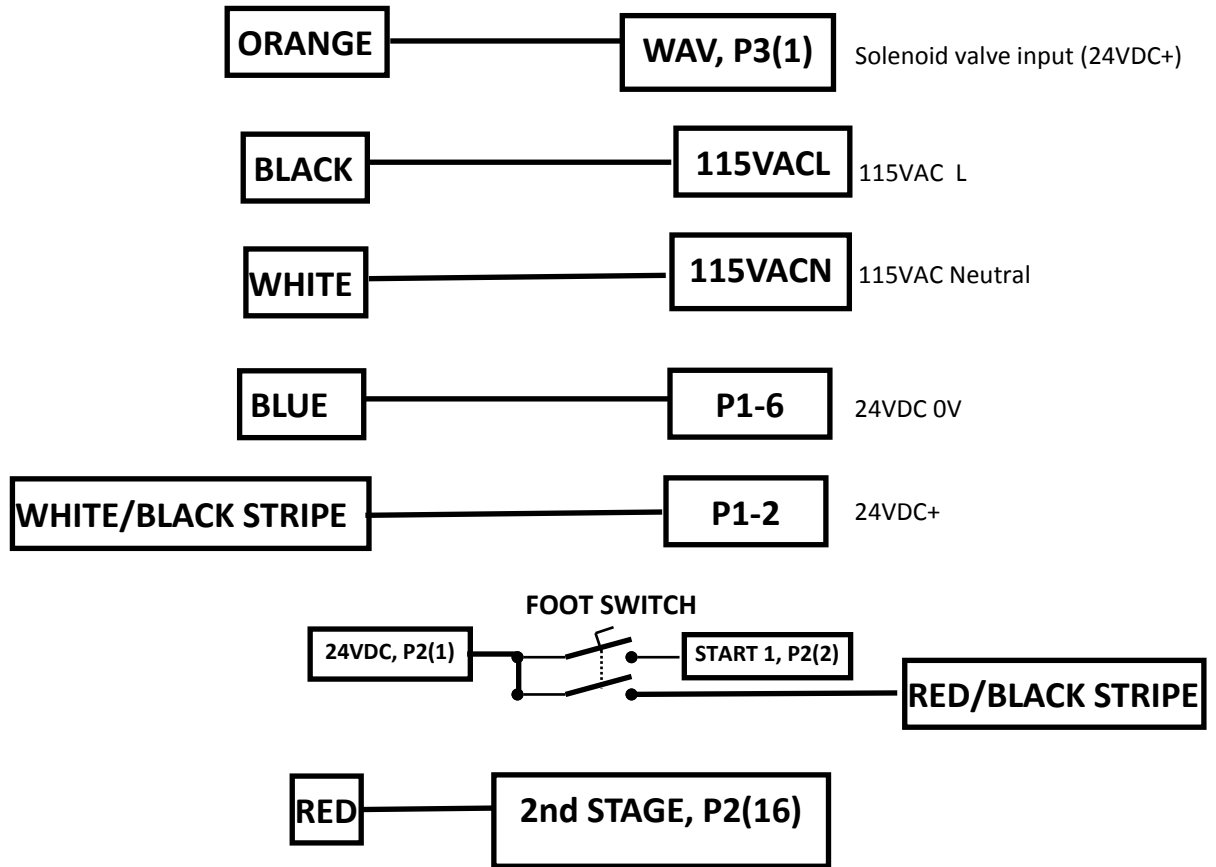


EN1701 SOFT TOUCH HOOKUP

MFDC CONTROL WITH 24VDC VALVES

Connect wires from the SOFT TOUCH cable to the EN1701 control as shown below
FOR SINGLE GUN OPERATION, INTERNAL PROGRAM BINARY SELECT.



EN1701 SOFT TOUCH HOOKUP

MFDC CONTROL WITH **115VAC VALVES**

Connect wires from the SOFT TOUCH cable to the EN1701 control as shown below
FOR SINGLE GUN OPERATION, INTERNAL PROGRAM BINARY SELECT.

