

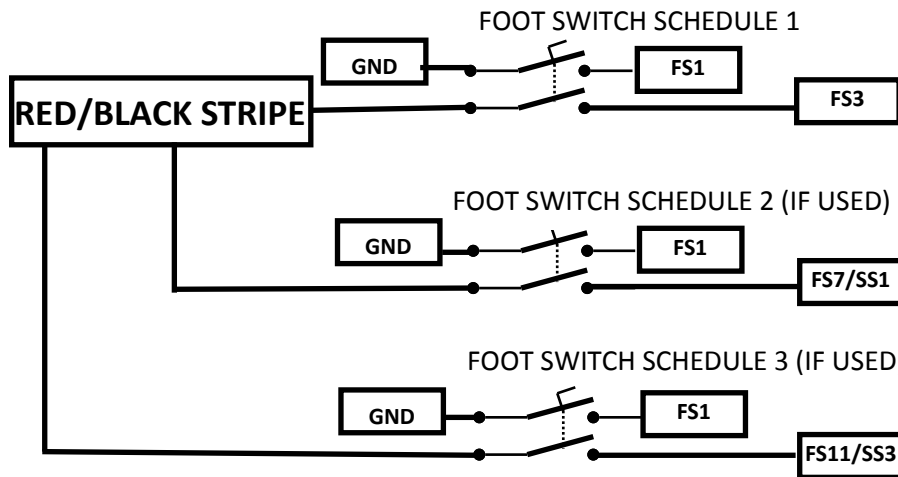
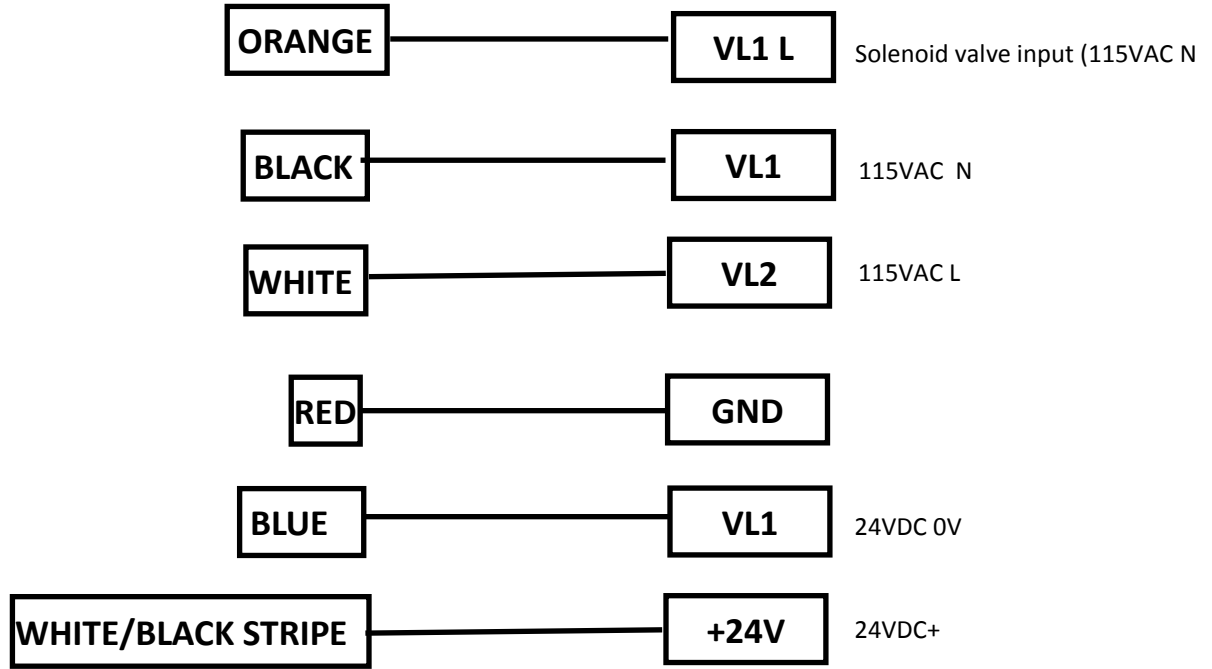
MIYACHI AMADA STA-100

CONTROL WITH 24VDC SOLENOID VALVES

Connect wires from the SOFT TOUCH cable to the STA-100 as shown below

This control uses SINKING for all inputs, and SINKING for valve outputs.???

FINISH



If RETRACT SOFT TOUCH option 9181-34JA or 9181-34JB is installed

