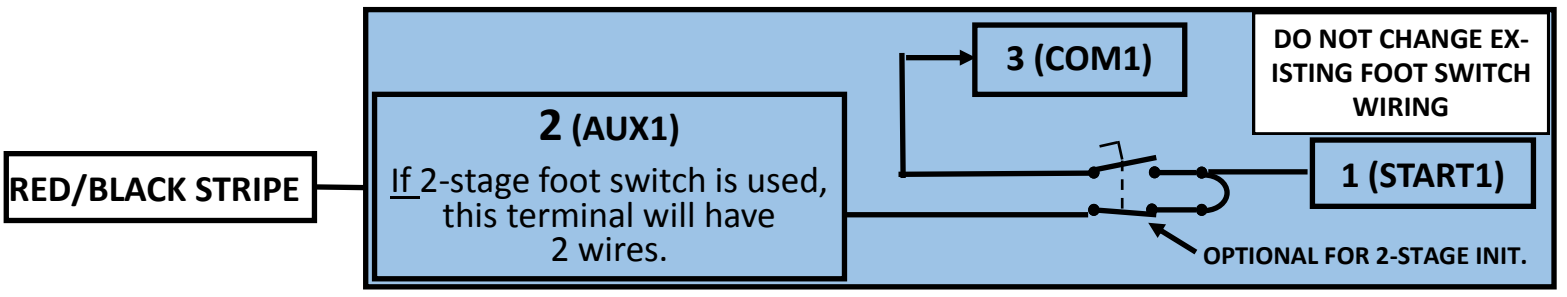
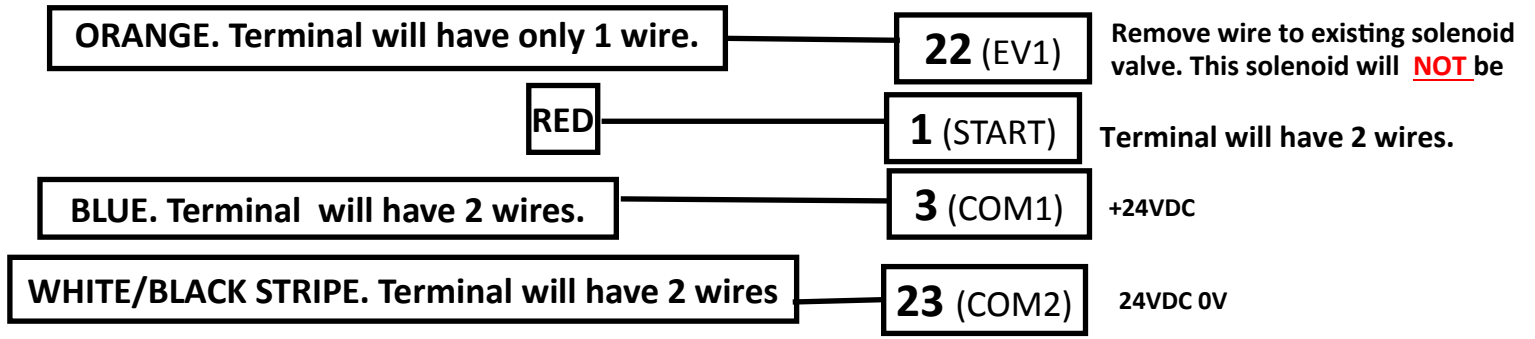


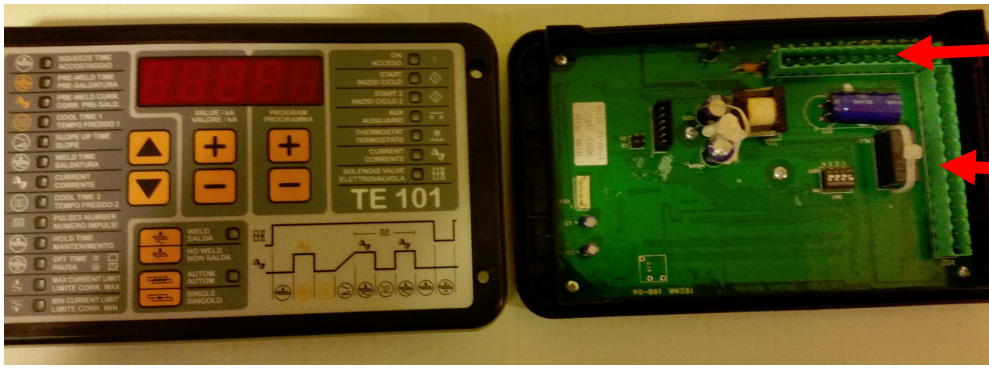
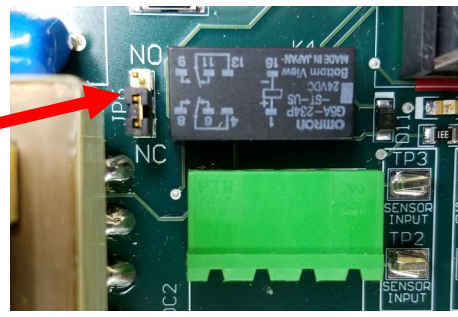
# TECNA SOFT TOUCH HOOKUP

## OPTION 9181-34TECNA, TE101

Connect wires from the SOFT TOUCH cable to the TECNA control terminals as shown below. Note that TECNA logic OPENS AUX1 for 2nd stage initiation.

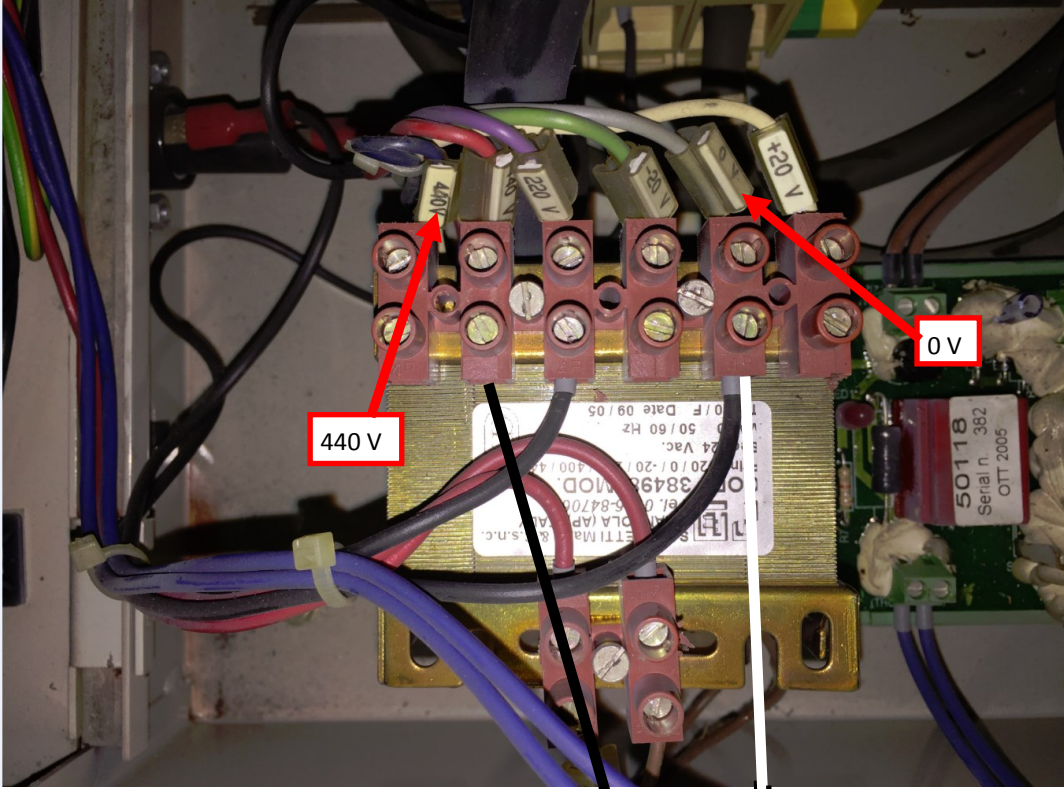


INSTALL JP6 JUMPER IN THE LOWER "NC" POSITION



OPEN CONTROL FACE AND CONNECT WIRES TO MATCHING NUMBERS ON THESE TERMINALS.

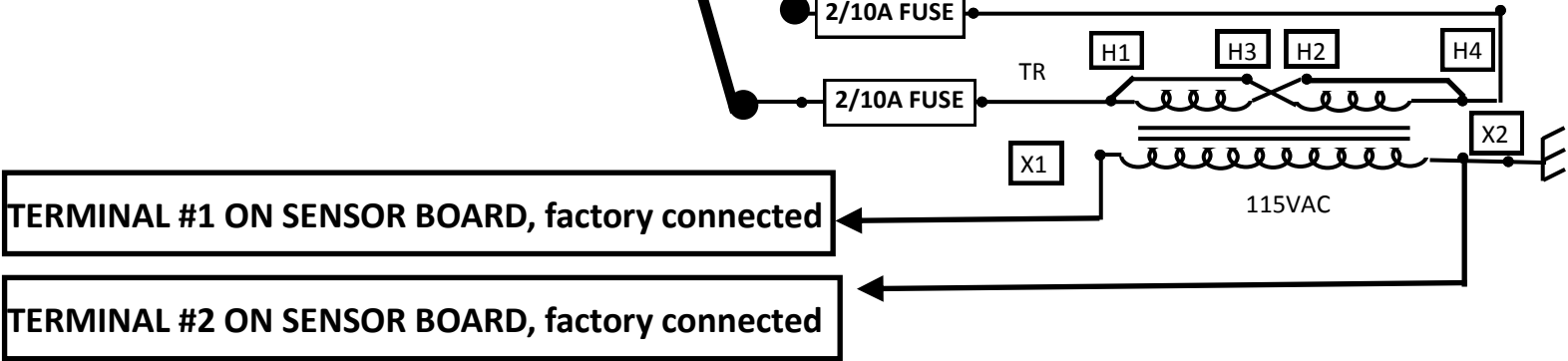
# POWER WIRING FOR 440V SUPPLY



**440V SUPPLY  
POWER HOOKUP**

**BLACK**

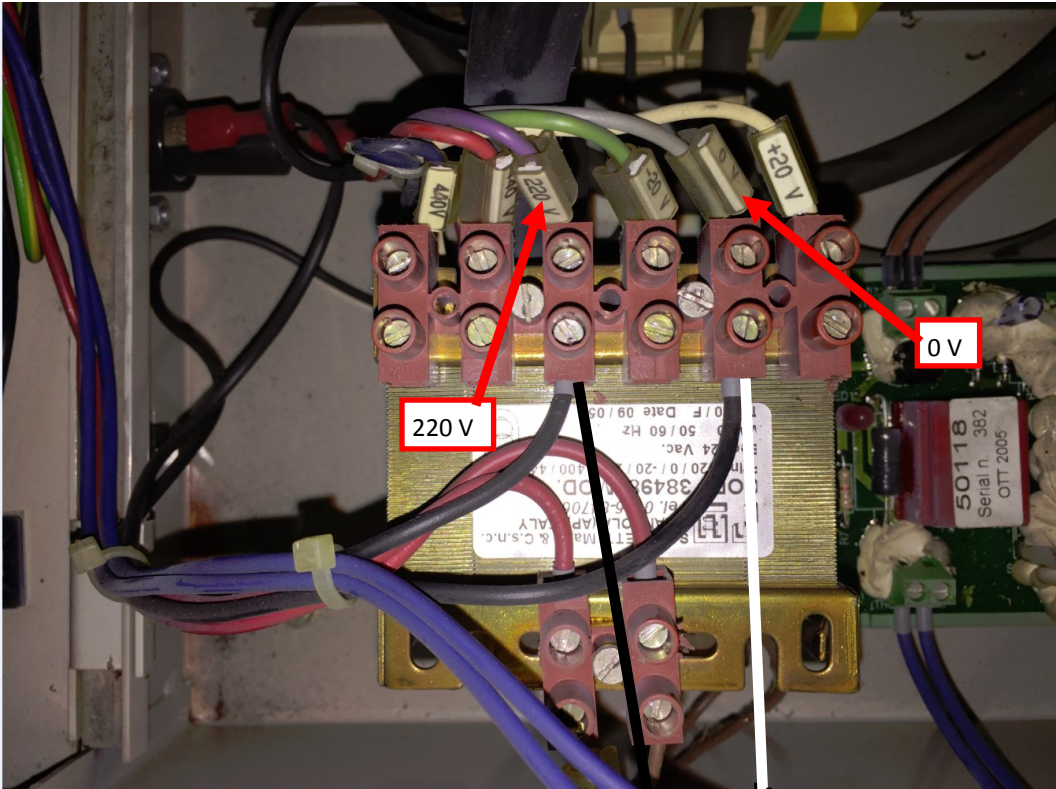
**WHITE**



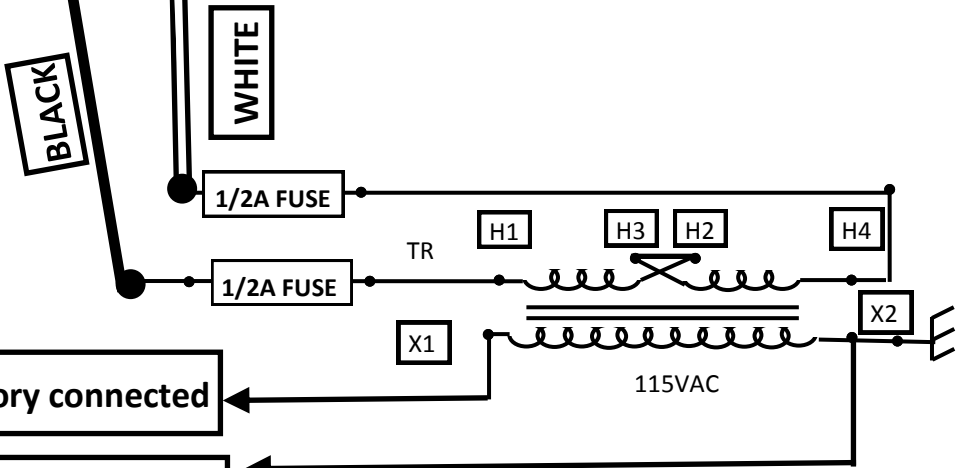
**TERMINAL #1 ON SENSOR BOARD, factory connected**

**TERMINAL #2 ON SENSOR BOARD, factory connected**

# POWER WIRING FOR 220V SUPPLY



220V SUPPLY  
POWER HOOKUP



TERMINAL #1 ON SENSOR BOARD, factory connected

TERMINAL #2 ON SENSOR BOARD, factory connected