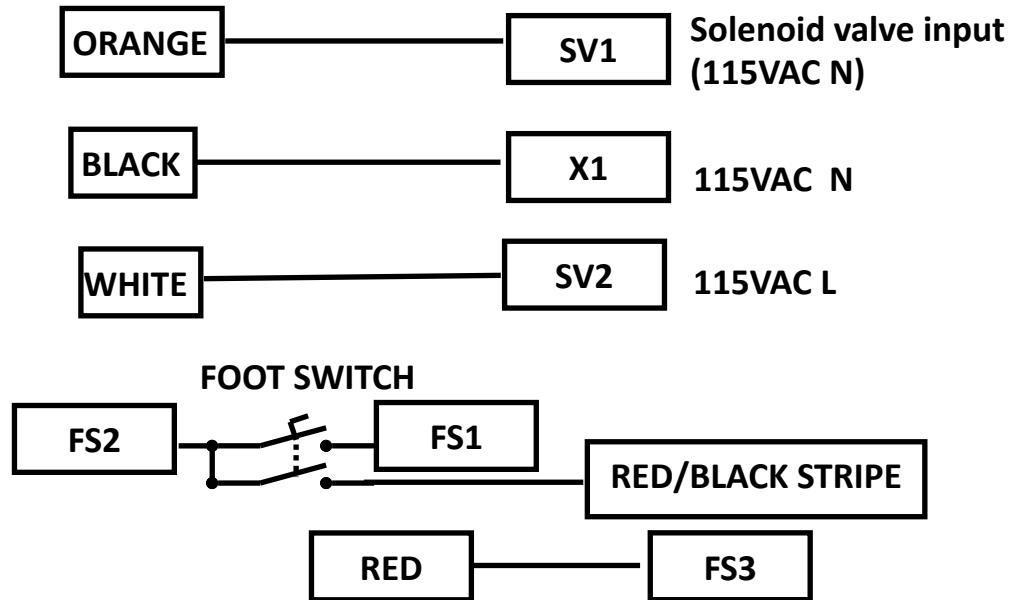


WT100 SOFT TOUCH HOOKUP

CONTROL WITH 115VAC SOLENOID VALVES

Connect wires from the SOFT TOUCH cable to the WT100 CONTROL as shown below.
The original solenoid valve will not be used with this SOFT TOUCH system.



If a jumper is between FS1 and FS3, remove it before connecting the RED wire to FS3.

NOTE: If only a single-stage foot switch is being used, connect the RED/BLACK STRIPE wire to FS2.

