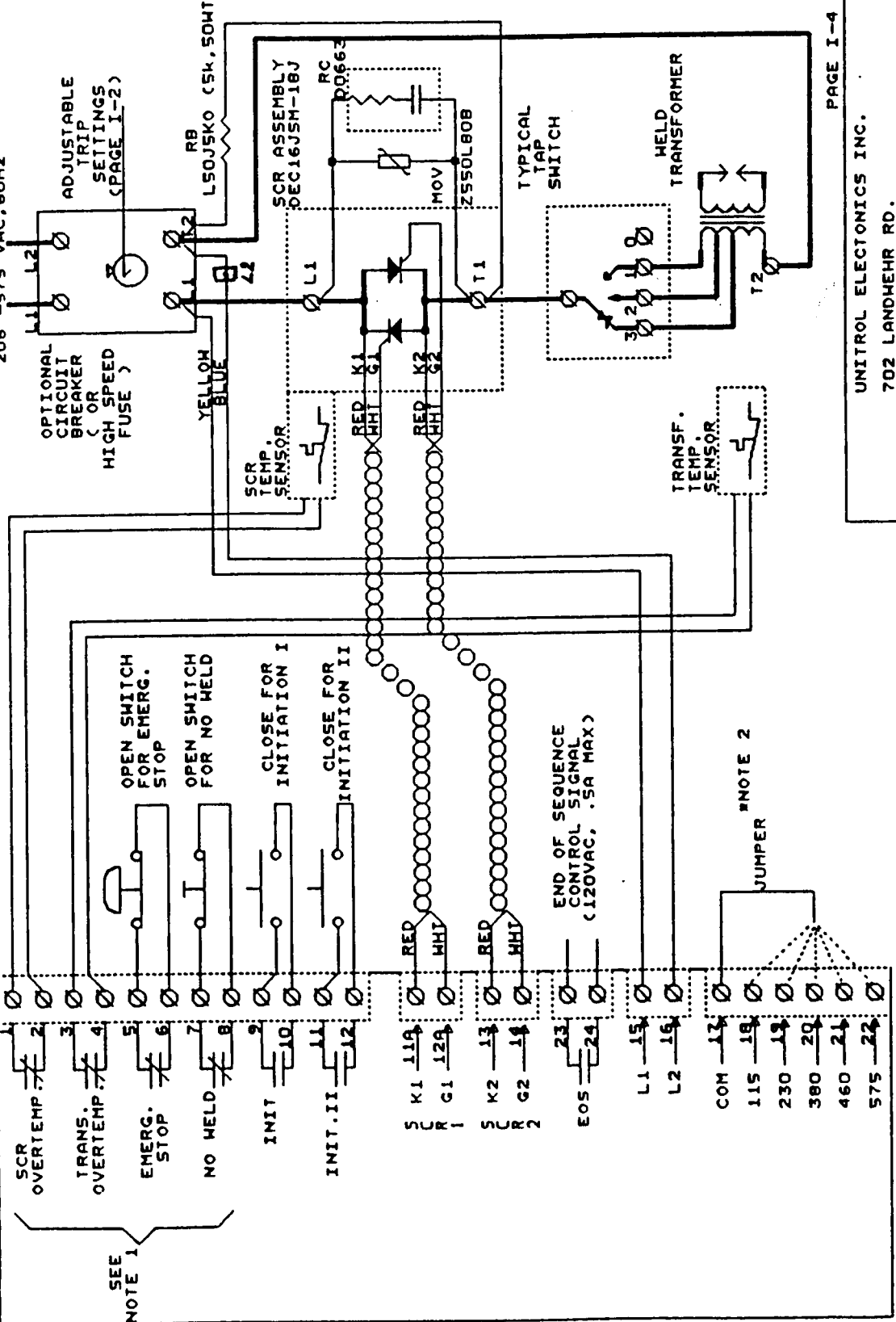


BOARD 9190-2



UNITROL ELECTRONICS INC.  
702 LANDWEHR RD.  
NORTHBROOK, IL. 60062

Title  
FIRE 'N MODULE 9190-2

Size Document Number  
A HOOKUP DIAGRAM #1285

Date: November 16, 1993 Sheet of  
2

NOTES:  
IF NOT USED INSTALL JUMPERS (CANG #16) BETWEEN  
CORRESPONDING TERMINALS AS SHOWN ON THE LEGEND  
CONNECT TO TERMINAL CORRESPONDING TO LINE VOLTAGE